

FIG. 1. Schematic of band alignments for NiO/ AlN heterostructure.

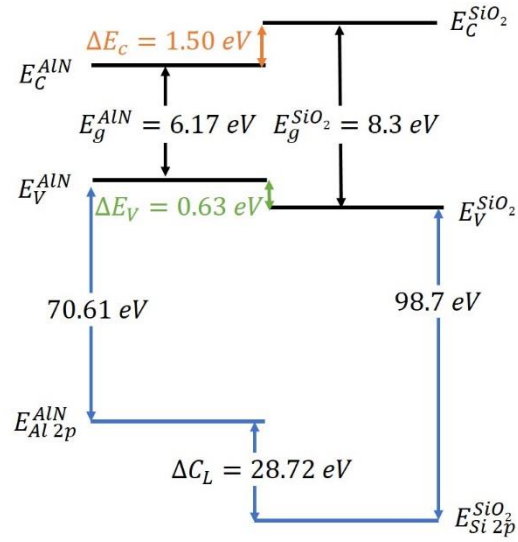


FIG. 2. Schematic of band alignments for SiO₂/AlN heterostructure

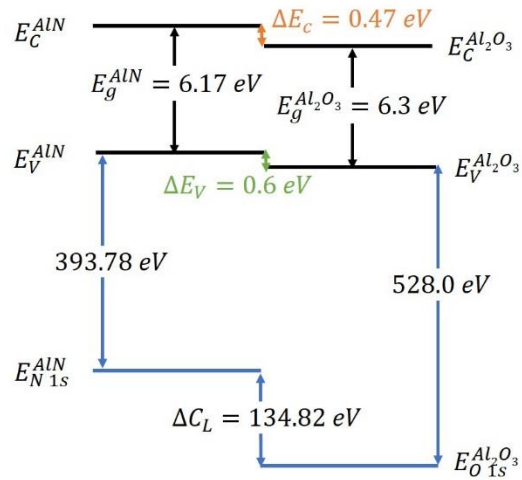


FIG. 3. Schematic of band alignments for Al₂O₃/AlN heterostructure

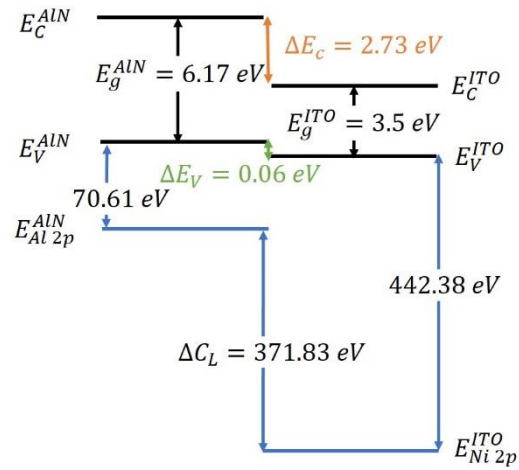


FIG. 4. Schematic of band alignments for ITO/AlN heterostructure